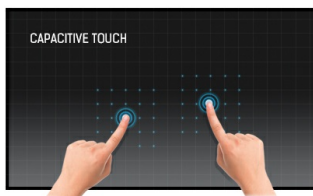




15.6" PCAP 10 points multi-touch monitor with edge-to-edge glass and IPS panel technology

The ProLite T1633MSC-B1 uses projective capacitive touch technology, built into an eye catching bezel with edge-to-edge glass. The screen guarantees high durability, scratch-resistance, clarity and a perfect picture performance. Featuring IPS Panel Technology and Full HD (1920x1080) resolution, it offers natural, highly accurate colours and wide viewing angles. The flexible stand can be positioned at several angles creating a comfortable and ergonomic user experience and the integrated cable management system hides all the cables and electrical wires giving a neat and cable-free workspace. In addition to the superb image quality, the screen comes with an IP54 rating, which means the screen and bezel is dust and water resistant from the front. A perfect solution for retail applications.



Touch technology - Capacitive

This technology uses a sensor-grid of micro-fine wires integrated into the glass that covers the screen. Touch is detected because electrical characteristics of the sensor grid change when human finger is placed on the glass. Thanks to the glass overlay this technology is highly durable, and the touch function remains unaffected even if the glass is scratched. It offers perfect picture performance and will work with human finger (also latex gloved) and stylus-pen.



Scratch resistance

Scratch resistance is essential for touch solutions used in public places and schools. This is achieved thanks to a glass overlay covering the screen. It guarantees high durability of the touch function and even more importantly the touch function remains unaffected even if the glass is scratched.

01 DISPLAY CHARACTERISTICS

| | |
|--------------------------------|---|
| Design | Edge to edge glass |
| Diagonal | 15.6", 39.5cm |
| Panel | IPS |
| Native resolution | 1920 x 1080 @60Hz (2.0 megapixel) |
| Aspect ratio | 16:9 |
| Panel brightness | 450 cd/m ² |
| Brightness | 385 cd/m ² with touch |
| Light transmittance | 85% |
| Static contrast | 1000:1 |
| Response time (GTG) | 5ms |
| Viewing zone | horizontal/vertical: 178°/178°, right/left: 89°/89°, up/down: 89°/89° |
| Colour support | 16.7mln |
| Horizontal Sync | 30 - 68kHz |
| Viewable area W x H | 344.2 x 193.6mm, 13.6 x 7.6" |
| Pixel pitch | 0.179mm |
| Bezel colour and finish | black, matte |
| Reommended usage | retail |

02 TOUCH

| | |
|------------------------------------|---|
| Touch technology | projective capacitive |
| Touch points | 10 (HID, only with supported OS) |
| Touch method | stylus, finger, glove (latex) |
| Touch interface | USB |
| Supported operating systems | All iiyama monitors are Plug & Play and compatible with Windows and Linux. For details regarding the supported OS for the touch models, please refer to the driver instruction file available in the downloads section. |
| Palm rejection | yes |

03 INTERFACES / CONNECTORS / CONTROLS

| | |
|-----------------------------|---------------------------|
| Digital signal input | HDMI x1 DisplayPort x1 |
| Audio output | Speakers 2 x 2W |
| HDCP | yes |
| USB HUB | x2 (2.0 (DC5V, 500mA)) |

04 FEATURES

| | |
|----------------------------------|--------------|
| Water and dust protection | IP54 (front) |
| OSD key lock | yes |

05 GENERAL

| | |
|------------------------|--|
| OSD languages | EN, DE, FR, ES, IT, PT, CN, RU, JP, CZ, NL, PL |
| Control buttons | Power, Menu, Volume +, Volume -, Input |

| | |
|----------------------|---|
| User controls | Luminance (contrast, brightness, i-Style color, adv. contrast, overdrive), image setup (aspect ratio), color temp., OSD setup (H. position, V. position, timeout, language, touch wake up), extra (input select, DDC/CI, reset, opening logo, LED, volume, information) |
|----------------------|---|

| | |
|--------------------|---------------------------|
| Convenience | Kensington-lock™ prepared |
|--------------------|---------------------------|

| | |
|---------------------------|-----|
| Blue light reducer | yes |
|---------------------------|-----|

| | |
|----------------------|-------|
| Plug&Play | DDC2B |
|----------------------|-------|

06 MECHANICAL

| | |
|-------------------|-----------------|
| Tilt angle | 90° up; 5° down |
|-------------------|-----------------|

| | |
|-----------------------|-----|
| Fanless design | yes |
|-----------------------|-----|

| | |
|----------------------|-------------|
| VESA mounting | 100 x 100mm |
|----------------------|-------------|

| | |
|--------------------------------|-----|
| Cable management system | yes |
|--------------------------------|-----|

| | |
|-------------|------------------------------------|
| MTBF | 50 000 hours (excluding backlight) |
|-------------|------------------------------------|

07 ACCESSORIES INCLUDED

| | |
|---------------|------------------|
| Cables | power, USB, HDMI |
|---------------|------------------|

| | |
|---------------|---------------------------------|
| Guides | quick start guide, safety guide |
|---------------|---------------------------------|

| | |
|--------------|------------|
| Other | AC adapter |
|--------------|------------|

| | |
|--------------------|-----|
| Cable cover | yes |
|--------------------|-----|

08 POWER MANAGEMENT

| | |
|--------------------------|----------|
| Power supply unit | external |
|--------------------------|----------|

| | |
|---------------------|---------|
| Power supply | DC 12 V |
|---------------------|---------|

| | |
|--------------------|---|
| Power usage | 12W typical, 8W stand by, 0.5W off mode |
|--------------------|---|

09 SUSTAINABILITY

| | |
|--------------------|---|
| Regulations | CE, TÜV-Bauart, EAC, RoHS support, ErP, WEEE, REACH, UKCA |
|--------------------|---|

| | |
|--|---|
| Energy efficiency class (Regulation (EU) 2017/1369) | C |
|--|---|

| | |
|-------------------|------------------|
| REACH SVHC | above 0.1%: Lead |
|-------------------|------------------|

10 DIMENSIONS / WEIGHT

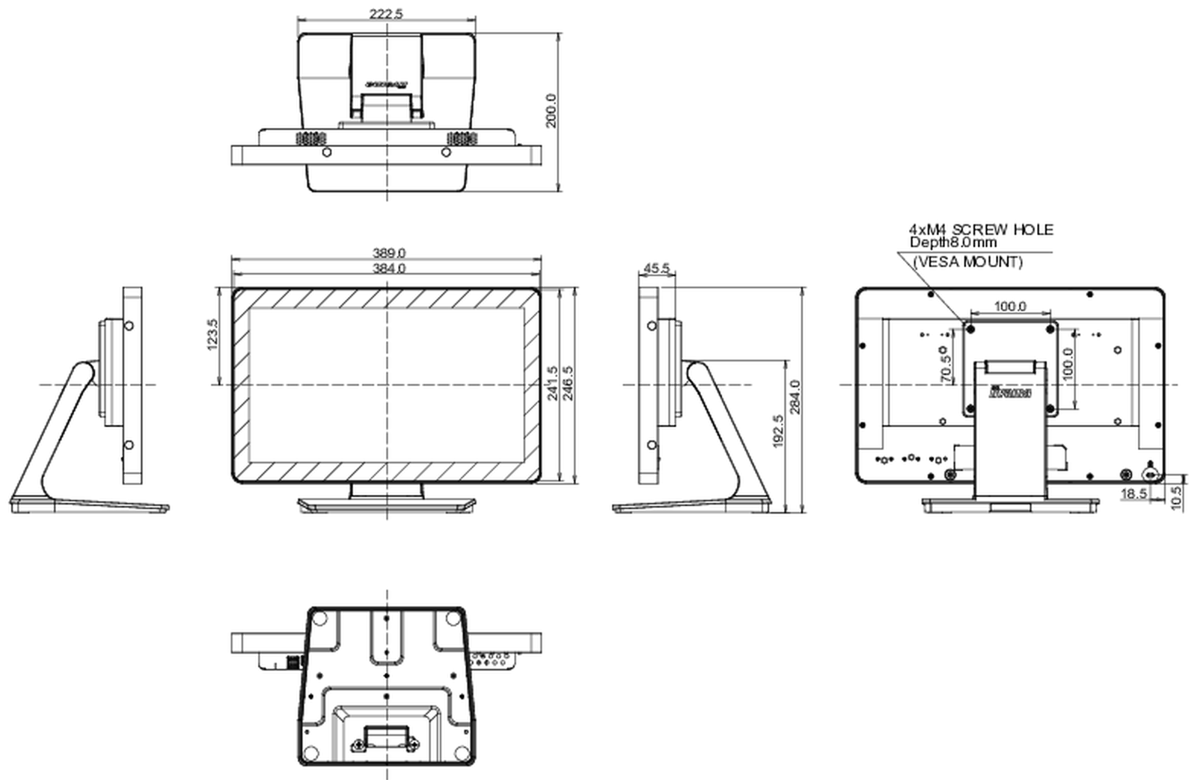
| | |
|-------------------------------------|-------------------|
| Product dimensions W x H x D | 389 x 284 x 200mm |
|-------------------------------------|-------------------|

| | |
|---------------------------------|-------------------|
| Box dimensions W x H x D | 475 x 343 x 169mm |
|---------------------------------|-------------------|

| | |
|-----------------------------|-------|
| Weight (without box) | 3.4kg |
|-----------------------------|-------|

| | |
|-------------------------------|-------|
| Weight (without stand) | 5.3kg |
|-------------------------------|-------|

| | |
|-----------------|---------------|
| EAN code | 4948570122523 |
|-----------------|---------------|



All trademarks and registered trademarks acknowledged. E & O E. Specification subject to change without notice. All LCD's comply with ISO-9241-307:2008 in connection with pixel defects.

© IYAMA CORPORATION. ALL RIGHTS RESERVED